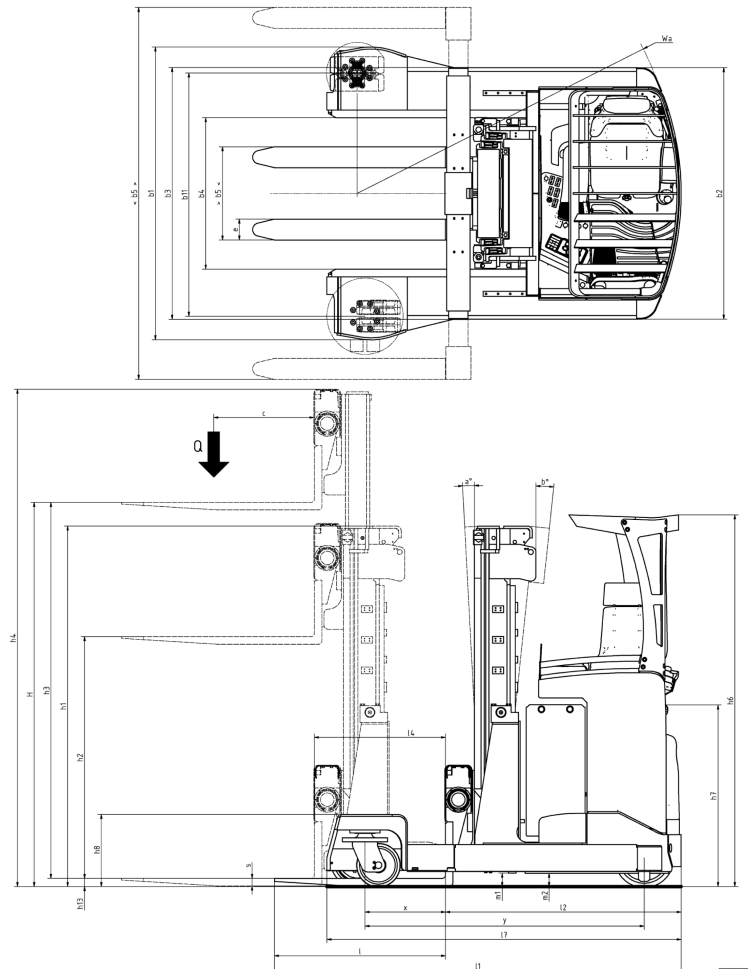


Multi-directional reach truck

UFW 250



A multi-directional truck for almost every material handling situation. Stacking and transporting long loads as easily as operations of pallet goods or pallet goods handling. Equipped with a standard hydraulic fork spread, synchronized steering and extraordinary ergonomic features.



Mast type	Lift height H	Height of mast lowered h1	Max mast height h4
Standard/Duplex			
Triplex	4500	2350	5200
	5400	2650	6100
	5850	2800	6550
	6350	2967	7050
	7050	3200	7750
	7550	3367	8250
	8050	3533	8750
	9000	3850	9700
	9700	4083	10400

Distinguishing mark	0	Specification		UFW 250		
	1.2	Manufacturer's type designation				
	1.3	Drive: electric (battery or mains), diesel, petrol, fuel gas		Electric		
	1.4	Operator type: hand, pedestrian, standing, seated, order-picker		Seated		
	1.5	Load capacity/rated load	Q	t	2,5	
	1.6	Load centre distance	c	mm	600	
	1.8	Load distance, centre of load axle to fork	X		527*	
	1.9	Wheelbase	y	mm	1665	
	Weight	2.1	Service weight incl battery		kg	4960
2.2		Axle load, with load, front/rear		kg		
2.3		Axle load, without load, front / rear		kg	2880 / 2080	
2.4		Axle load, fork outreached with load, front / rear		kg	660 / 6800	
2.5		Axle load, fork retracted with load, front / rear		kg	2830 / 4630	
Tyres, chassis	3.1	Tyres			Vulcollan	
	3.2	Tyre size, drive side		mm	355*155	
	3.3	Tyre size, load side		mm	260*85, 320*100	
	3.4	Dimensions additional wheels (castor wheels)		mm		
	3.5	Wheels, number front/rear (drive side/load side, x = driven wheels)			1x / 4	
	3.6	Track, drive side	b10	mm	0	
	3.7	Track, load side	b11	mm	1444	
Dimensions	4.1	Tilt of mast/fork carriage, forward/backward		Grad	1,5/3,5, 1/3, 1/1	
	4.2	Height, mast lowered		h1	mm	See table
	4.3	Free lift		h2	mm	h3/3 + 137
	4.4	Lift height H = h13+h3		H	mm	See table
	4.5	Height, mast extended		h4	mm	See table
	4.6	Straddle lift		h5	mm	
	4.7	Height of overhead guard (cabin)		h6	mm	2215
	4.8	Seat height/stand height		h7	mm	1087
	4.10	Height of wheel arms		h8	mm	430
	4.11	Additional lift		h9	mm	
	4.14	Stand height, elevated		h12	mm	
	4.15	Height lowered		h13	mm	50
	4.19	Overall length		l1	mm	2555*
	4.20	Length to face of forks		l2	mm	1405*
	4.21	Overall width		b1	mm	1744 / 1498
	4.21.1	Width over stabilizers			mm	
	4.22	Fork dimensions		s/e/l	mm	45 / 125 / 800.1000,1150
	4.23	Fork carriage to ISO 2328, clas / form A, B				
	4.24	Width of fork carriage		b3	mm	1500 / 2170
	4.25	Width over forks, min/max		b5	mm	560/1550, 560/2220
	4.26	Distance between wheel arms		b4	mm	903
	4.27	Width across guide rolls		b6	mm	
	4.28	Reach distance		l4	mm	782*
	4.29	Reach lateral		b7	mm	
	4.30	Reach lateral from vehicle centerline		b8	mm	
	4.31	Ground clearance, mast		m1	mm	81
	4.32	Ground clearance, centre of wheelbase		m2	mm	80
	4.33	Aisle width with pallet 1000 x 1200, crosswise		Ast	mm	2896*
	4.34	Aisle width for pallet 800 x 1200, lengthwise		Ast	mm	2915*
		Transfer aisle		0	mm	
	4.35	Turning radius		Wa	mm	1932
	4.37	Length incl reach legs		l7	mm	2102
	4.38	Distance to swivelling-fork pivot		0	mm	
Performance data	5.1	Travel speed, with/without load		km/h	13,0 / 13,0	
	5.1.1	Travel speed with/without load, backwards		km/h		
	5.2	Lift speed, with/without load		m/s	0,32 / 0,53	
	5.3	Lowering speed, with/without load		m/s	0,53 / 0,53	
	5.4	Reach speed, with / without load		m/s	0,2 / 0,2	
	5.7	Gradient, with/without load		%		
	5.8	Max gradeability, with / without load, 5 min rating		%	9 / 14	
	5.9	Acceleration time 0-10 m, with/without load		s	6,2 / 5,2	
	5.10	Service brake: electric, hydraulic			El. - drive motor	
	5.10.1	Parking brake: electric, hydraulic			Mech. - drive motor	
Electric engine	6.1	Drive motor, rating S2 60 min		kW	7,2	
	6.2	Lift motor		kW	15	
	6.3	Battery according to DIN 43531/35/36		A,B,C	43531C	
	6.4	Battery voltage / Battery capacity		V/Ah	48 / 600-900	
	6.5	Battery weight		kg	892 - 1567*	
	6.6	Power consumption according to VDI cycle		kWh/h	8,5	
Additional data	8.1	Speed regulation			Electronic	
	10.1	Operating pressure attachments		bar	150	
	10.2	Oil flow for attachments		l/min	25	
	10.7	Noise level at operator's ear, according to EN 12 053		db(A)	59,7	

* Varies according to battery size

All rights reserved to change above specification